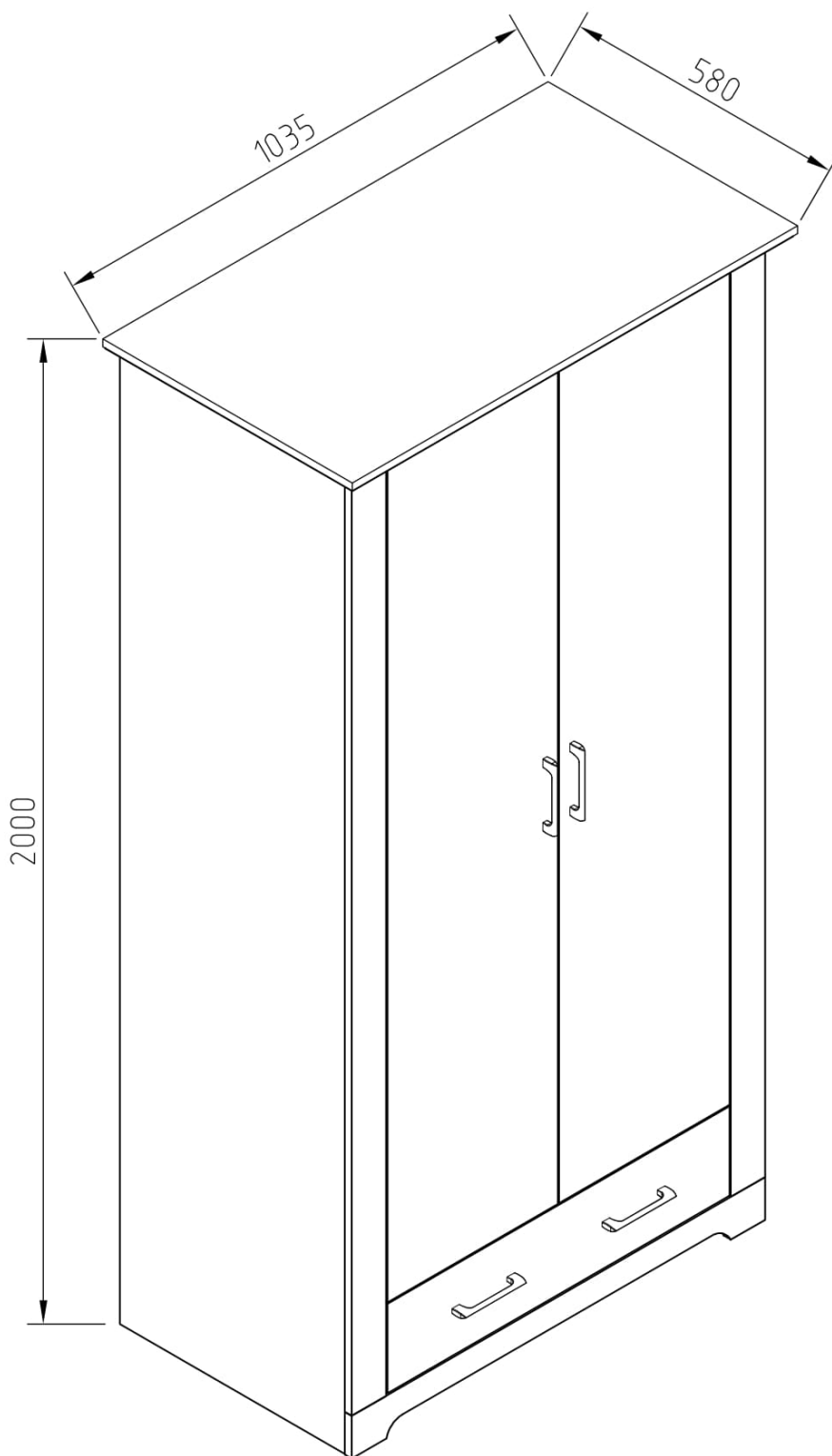




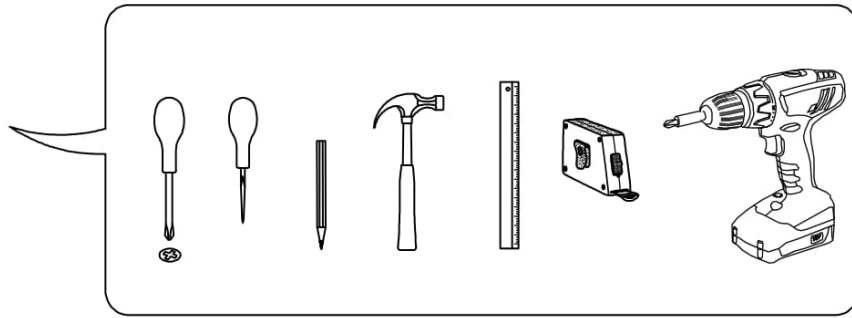
VALERIO



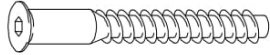
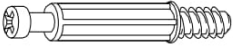










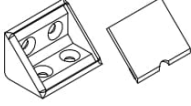
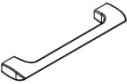
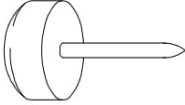
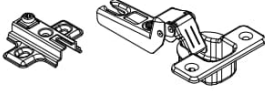
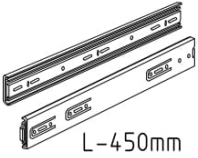

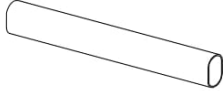

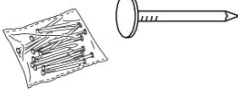

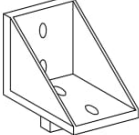
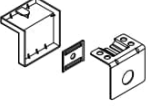

WARDROBE 2D 1Dr




VALERIO

WARDROBE 2D 1Dr



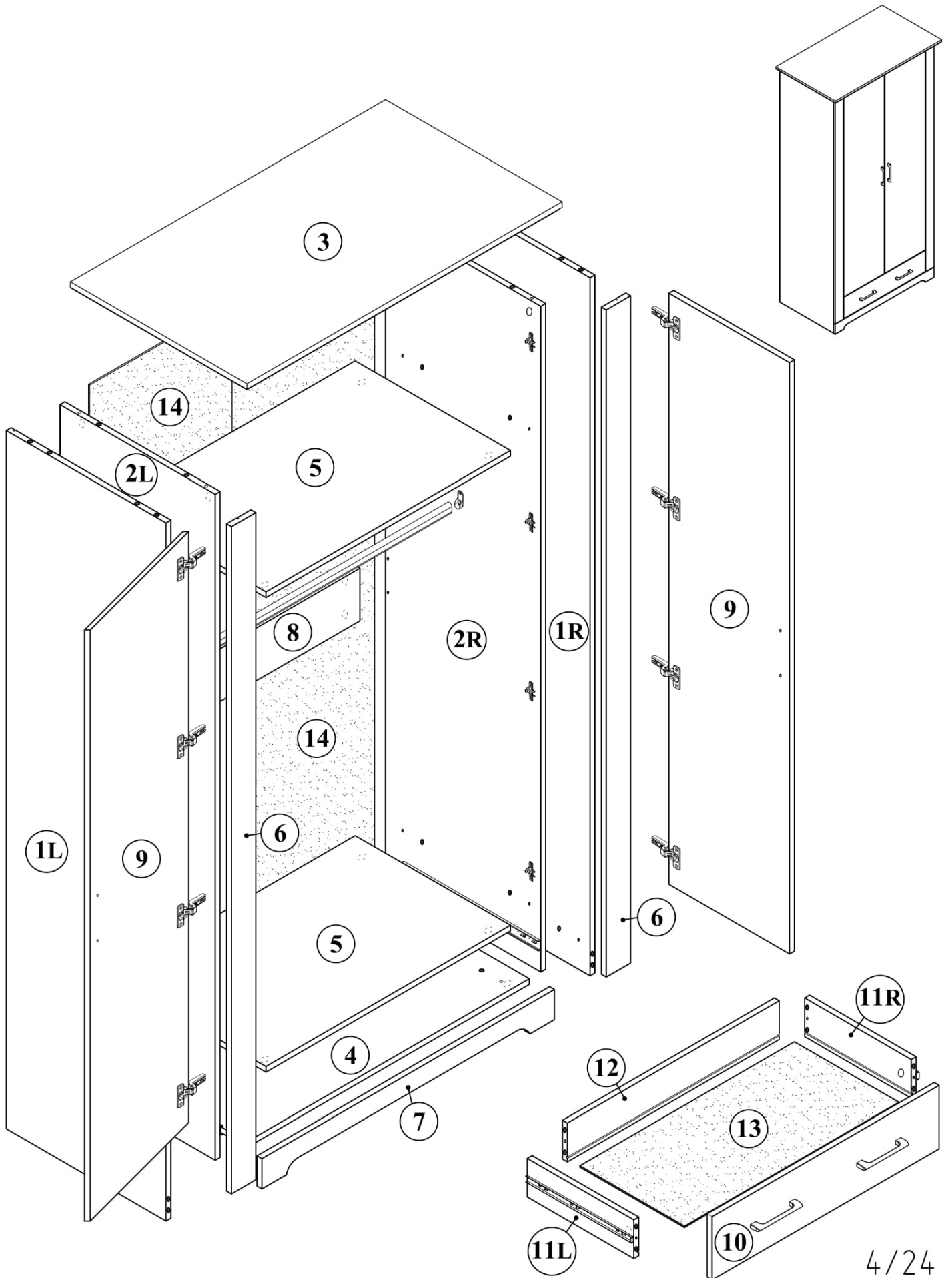
 A1 8*30mm x40	 B x6	 B1 6,3*50mm x6
 C1 5*30mm x22	 D x22	 D1 16mm x22
 E3 3*15mm x4	 E5 3,5*16 x80	 Ea2 4,2*16mm x4
 Ea4 4,2*65mm x1	 F3 6,3*13mm x16	 G6 M 4*22 x8
 H2 x16	 H5 8*50mm x1	 H12 20x20x33 x3
 I43 P-38 (128) x4	 K4 x4	 L3 x8
 M2 L-450mm x1	 P4 x2	 P5 L-798mm x1
 R1 x1	 R3 1.4*25mm 0.020kg	 R4 N°4 x1
 S13 x10	 S14 K-06 x1	 U3 x2

VALERIO
WARDROBE 2D 1Dr


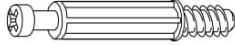

No	a*b	x	Nº→...
1L	1984x524	x1	1/3
1R	1984x524	x1	1/3
2L	1892x510	x1	2/3
2R	1892x510	x1	2/3
3	1035x580	x1	3/3
4	927x510	x1	2/3
5	803x510	x1	2/3
6	1896x80	x2	1/3
7	961x86	x1	2/3
8	803x150	x1	2/3
9	1680x396	x2	1/3
10	795x180	x1	2/3
11L	450x110	x1	2/3
11R	450x110	x1	2/3
12	745x110	x1	2/3
13	754x443	x1	1/3
14	1912x467	x2	1/3
		x1	2/3

VALERIO

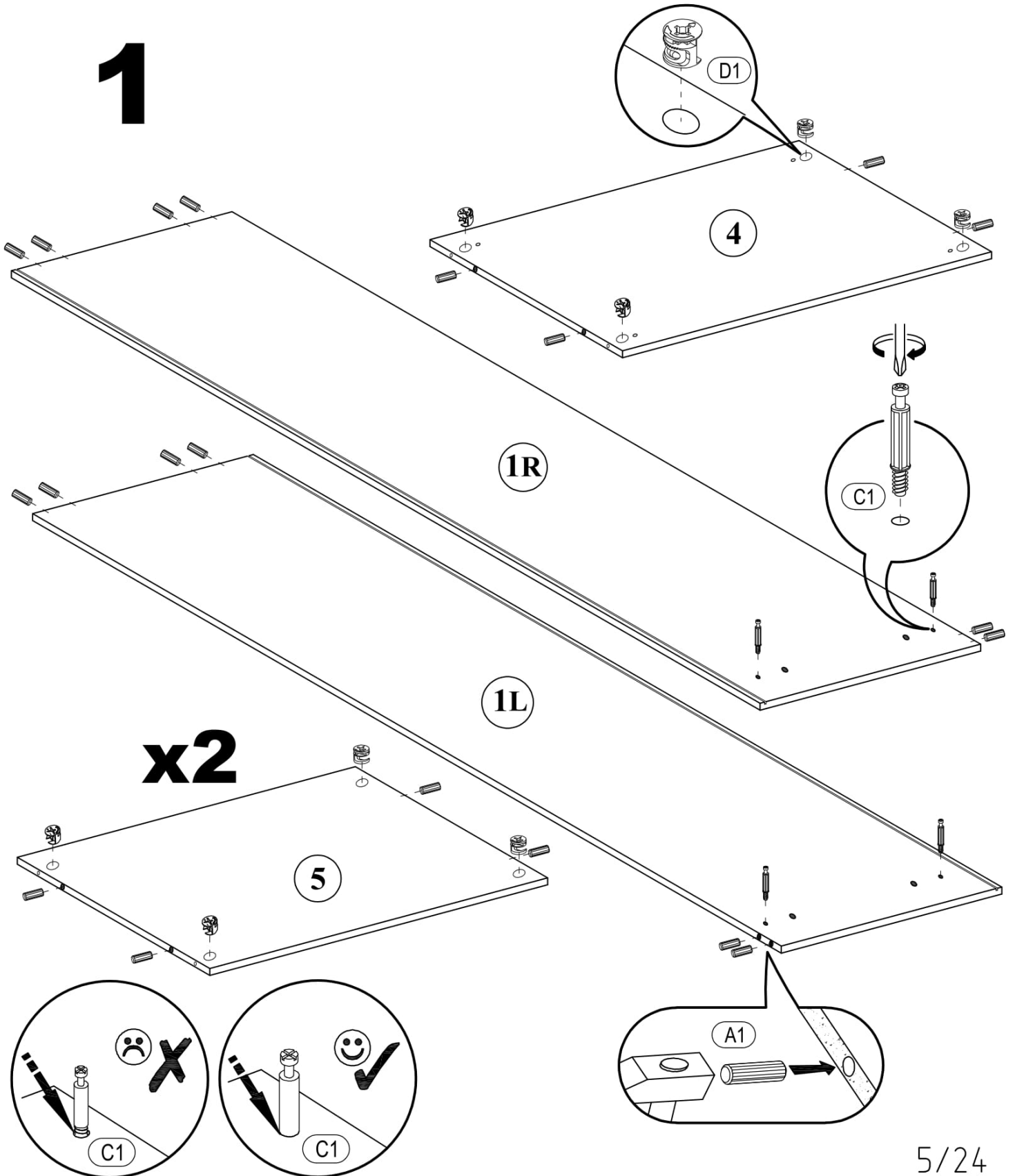
WARDROBE 2D 1Dr



VALERIO
WARDROBE 2D 1Di


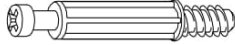



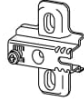
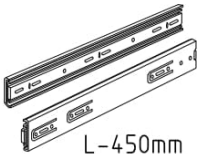
 A1 8*30mm x24	 C1 5*30mm x4	 D1 16mm x12
---	--	---

1

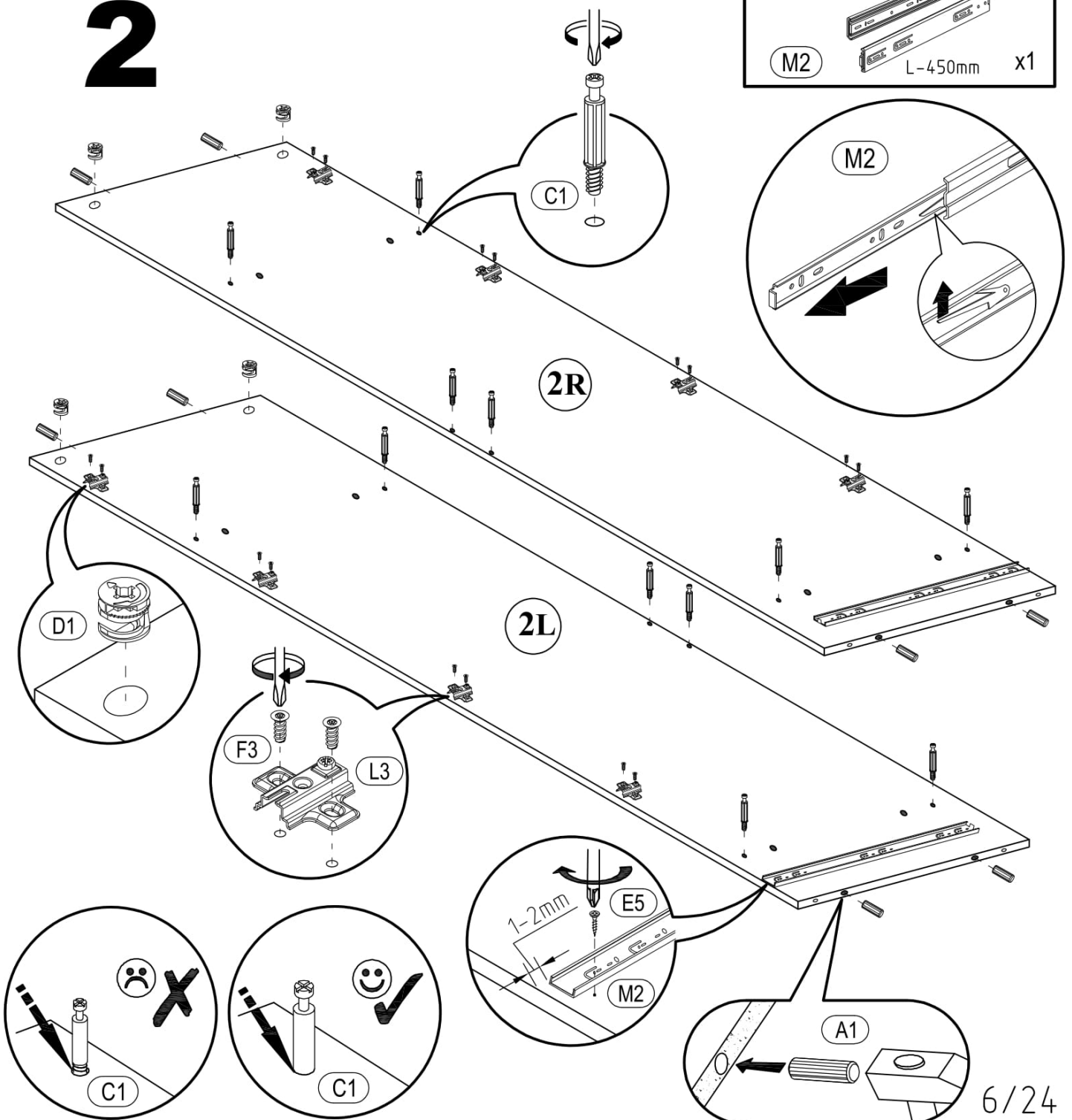


VALERIO

WARDROBE 2D 1Dr



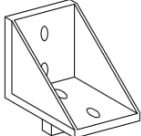

 A1 8*30mm x8	 C1 5*30mm x12	 D1 16mm x4
 E5 3,5*16 x4	 F3 6,3*13mm x16	 L3 x8
		 M2 L-450mm x1

2

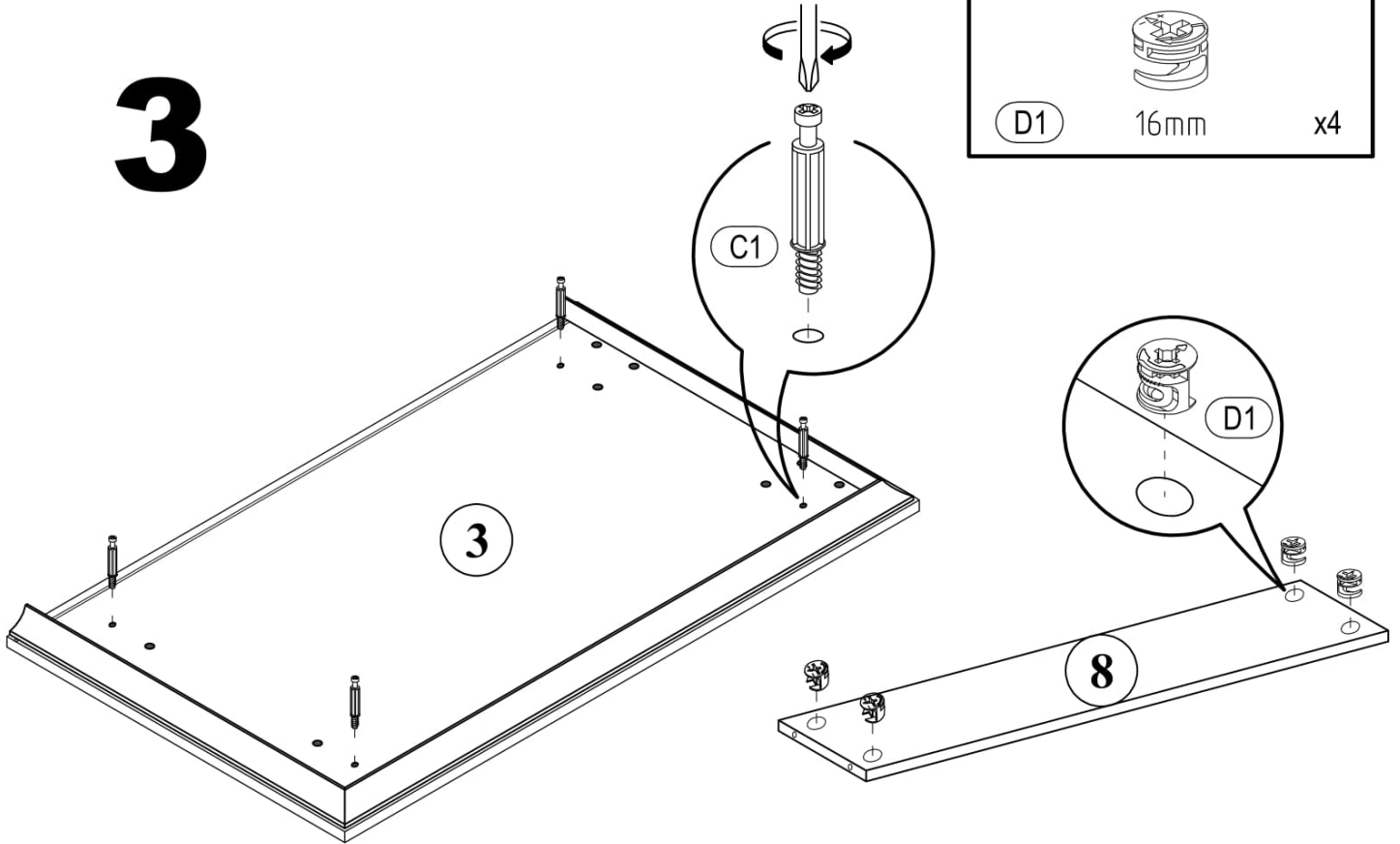


VALERIO

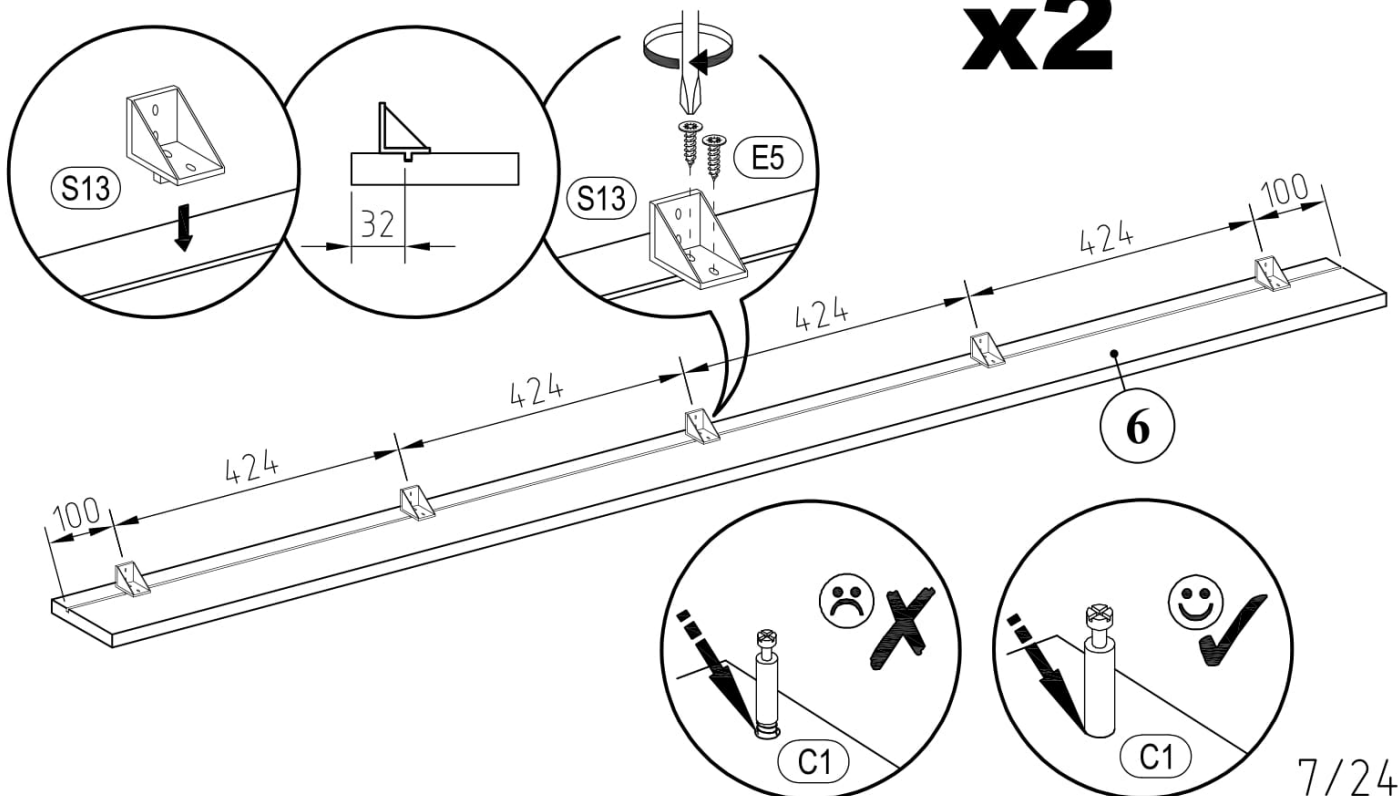
WARDROBE 2D 1Dr

 (C1) 5*30mm x4	 (E5) 3,5*16 x20	 (S13) x10
		 (D1) 16mm x4

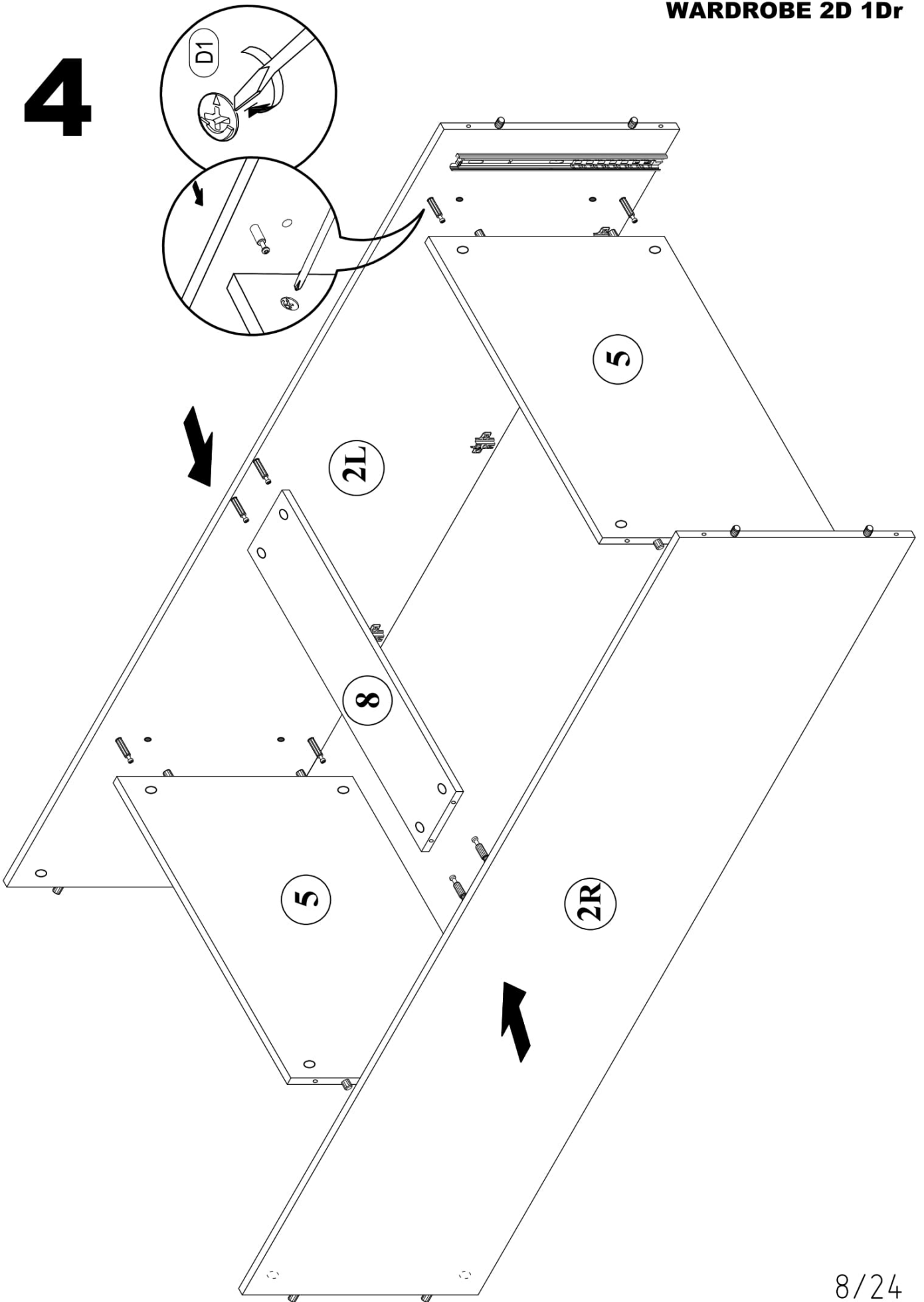
3



x2

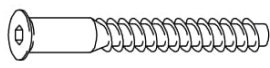
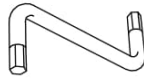


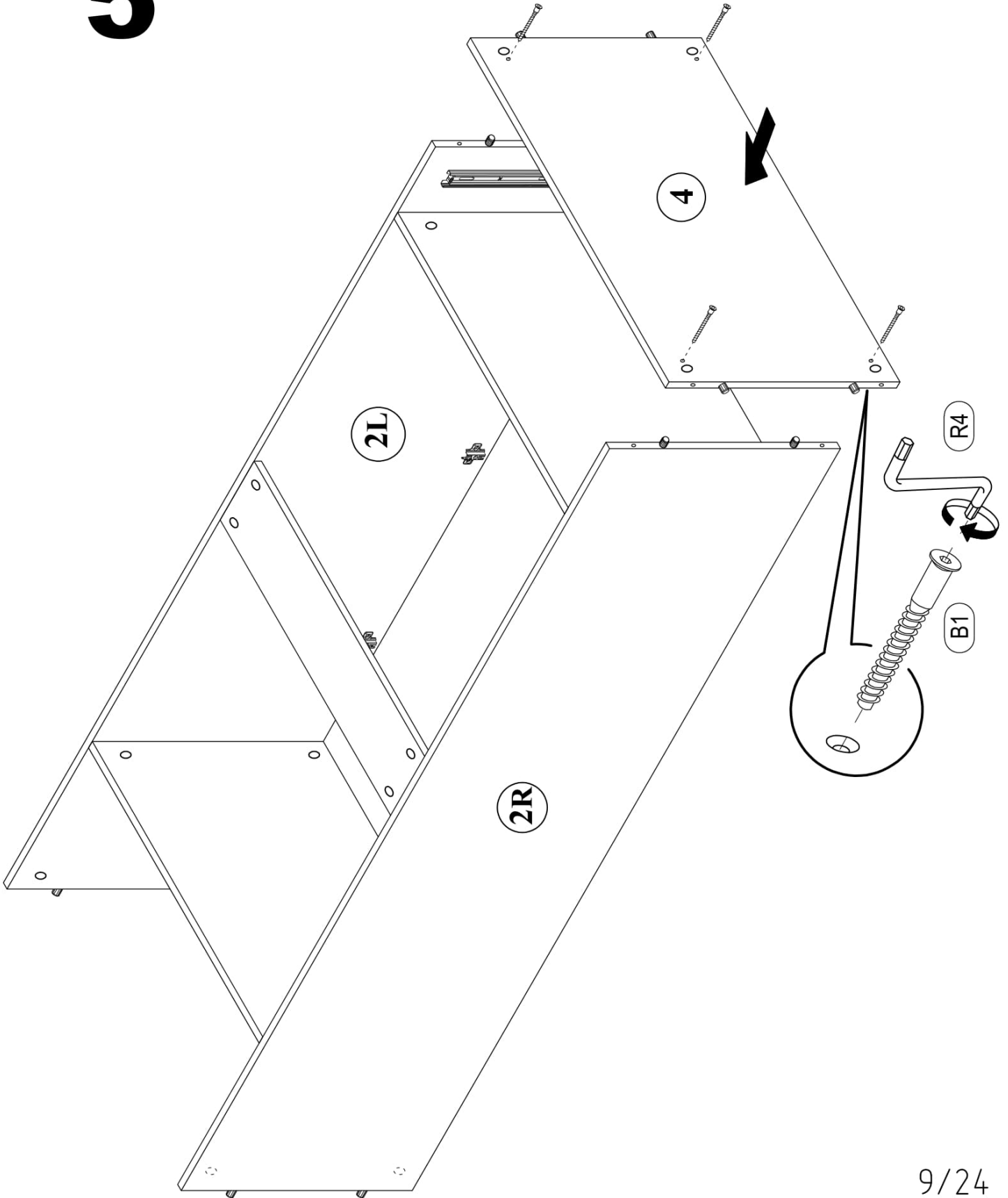
4



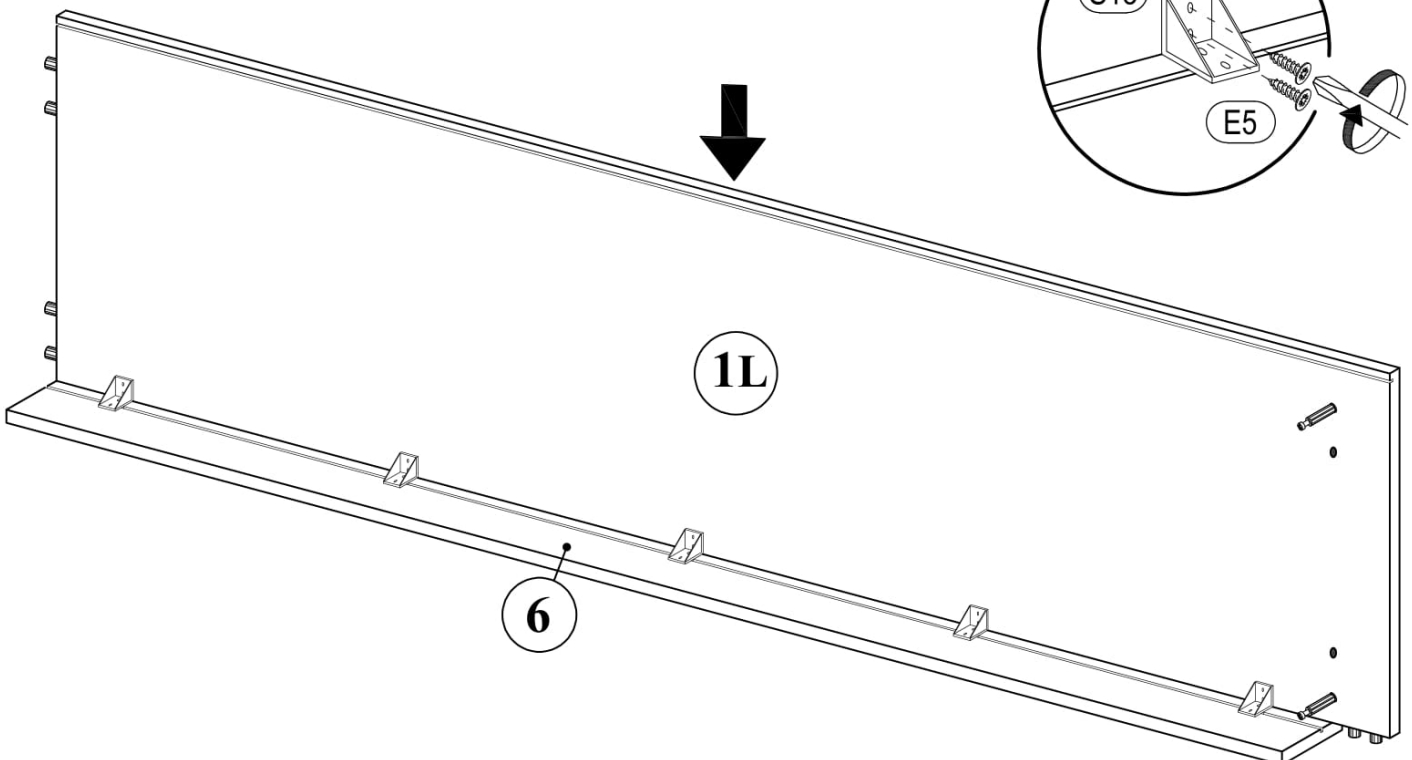
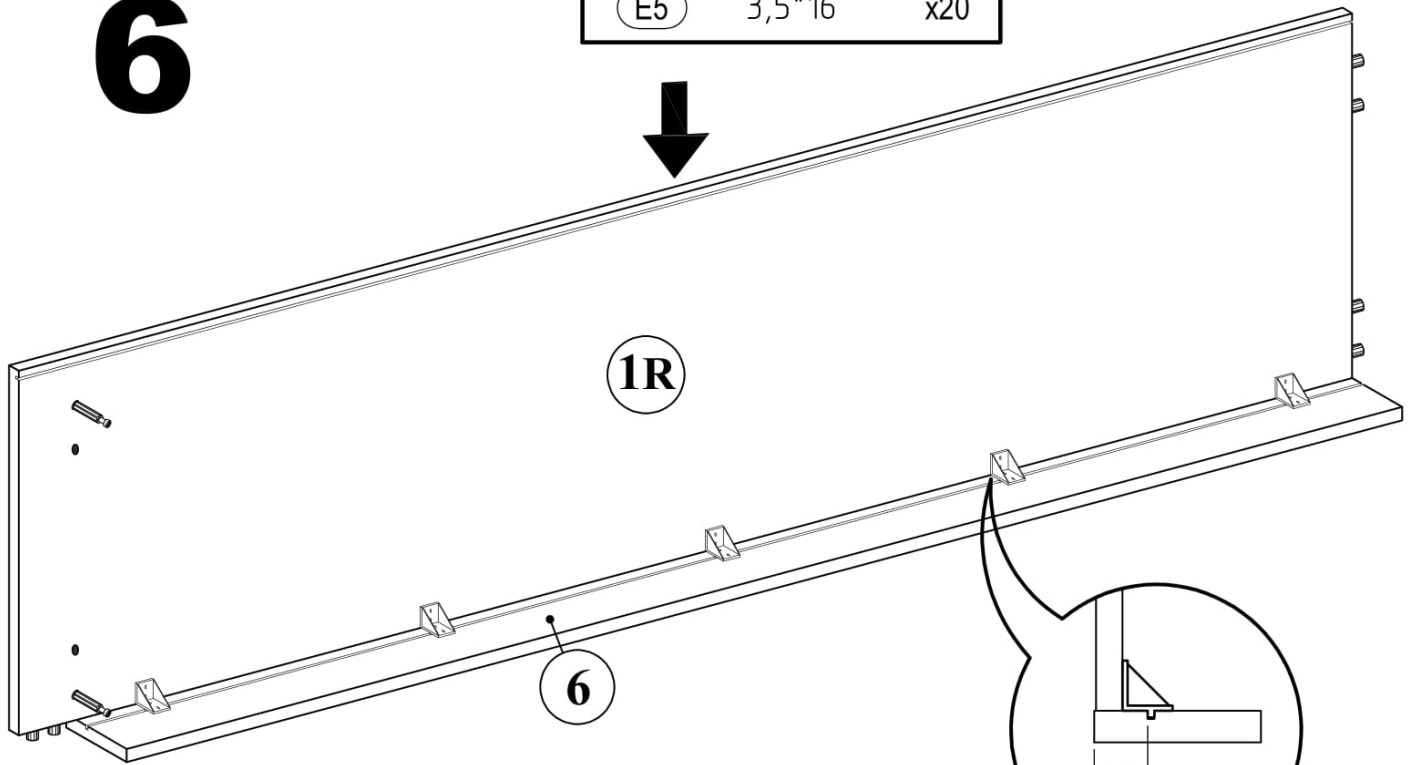
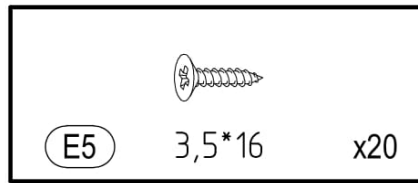
VALERIO
WARDROBE 2D 1Dr

5

 B1 6,3*50mm x4	 R4 N°4 x1
---	--

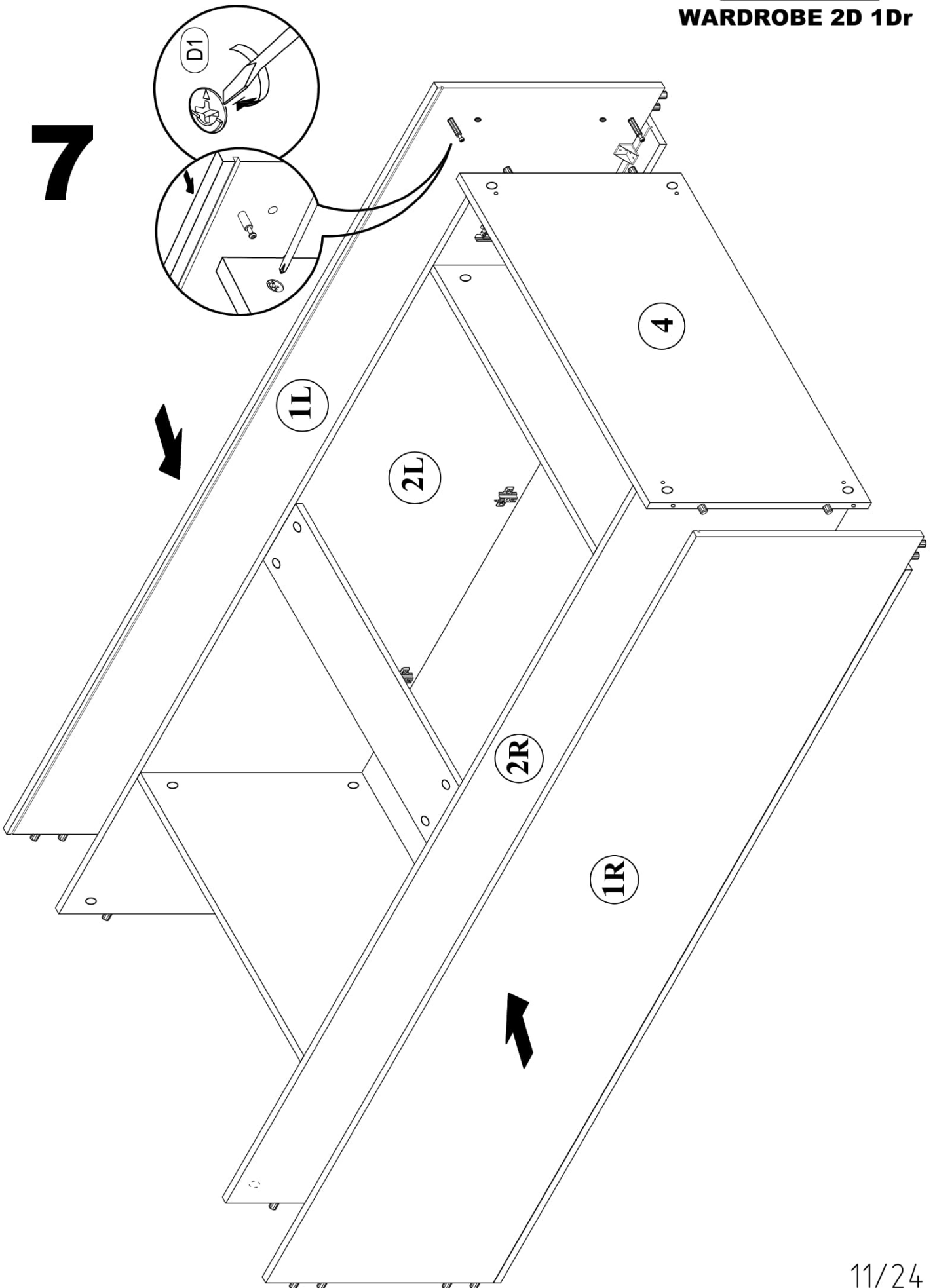


6

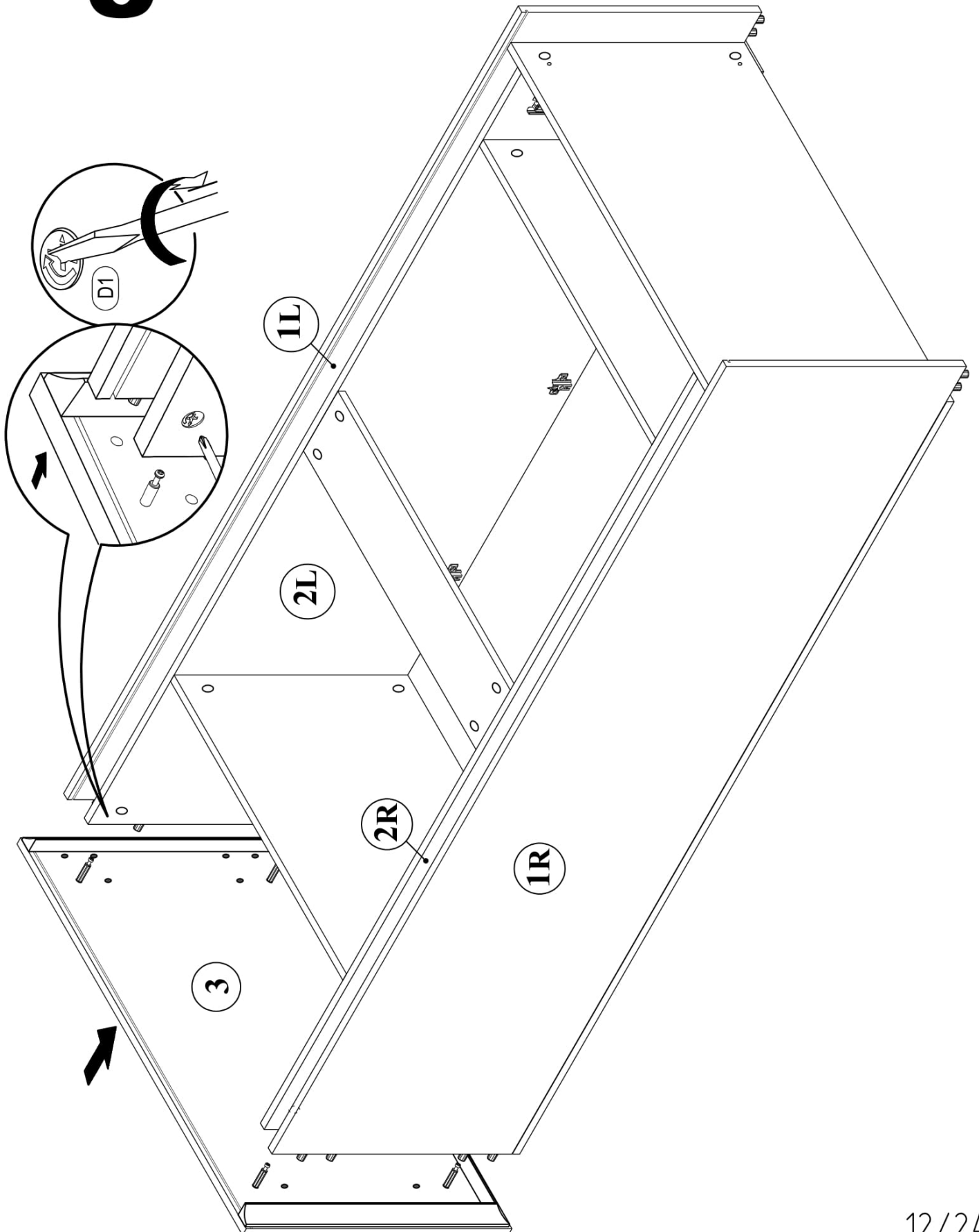


VALERIO
WARDROBE 2D 1Dr

7

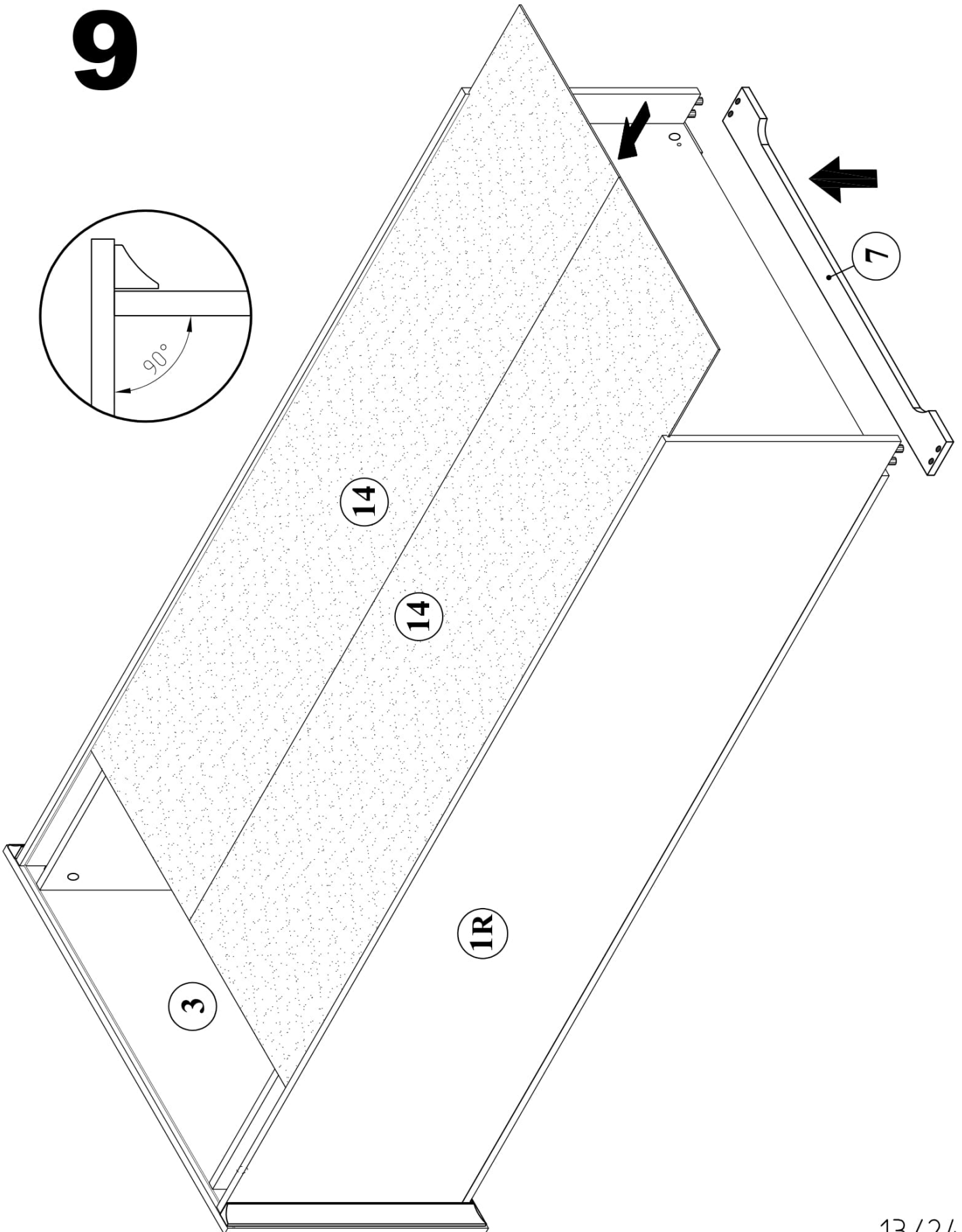
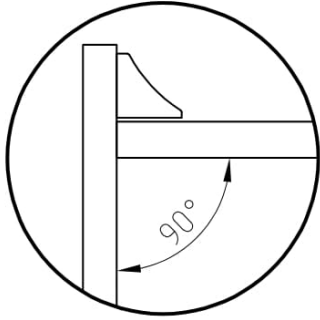


8

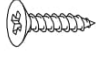
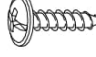

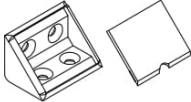
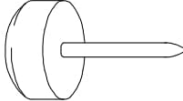
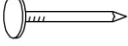


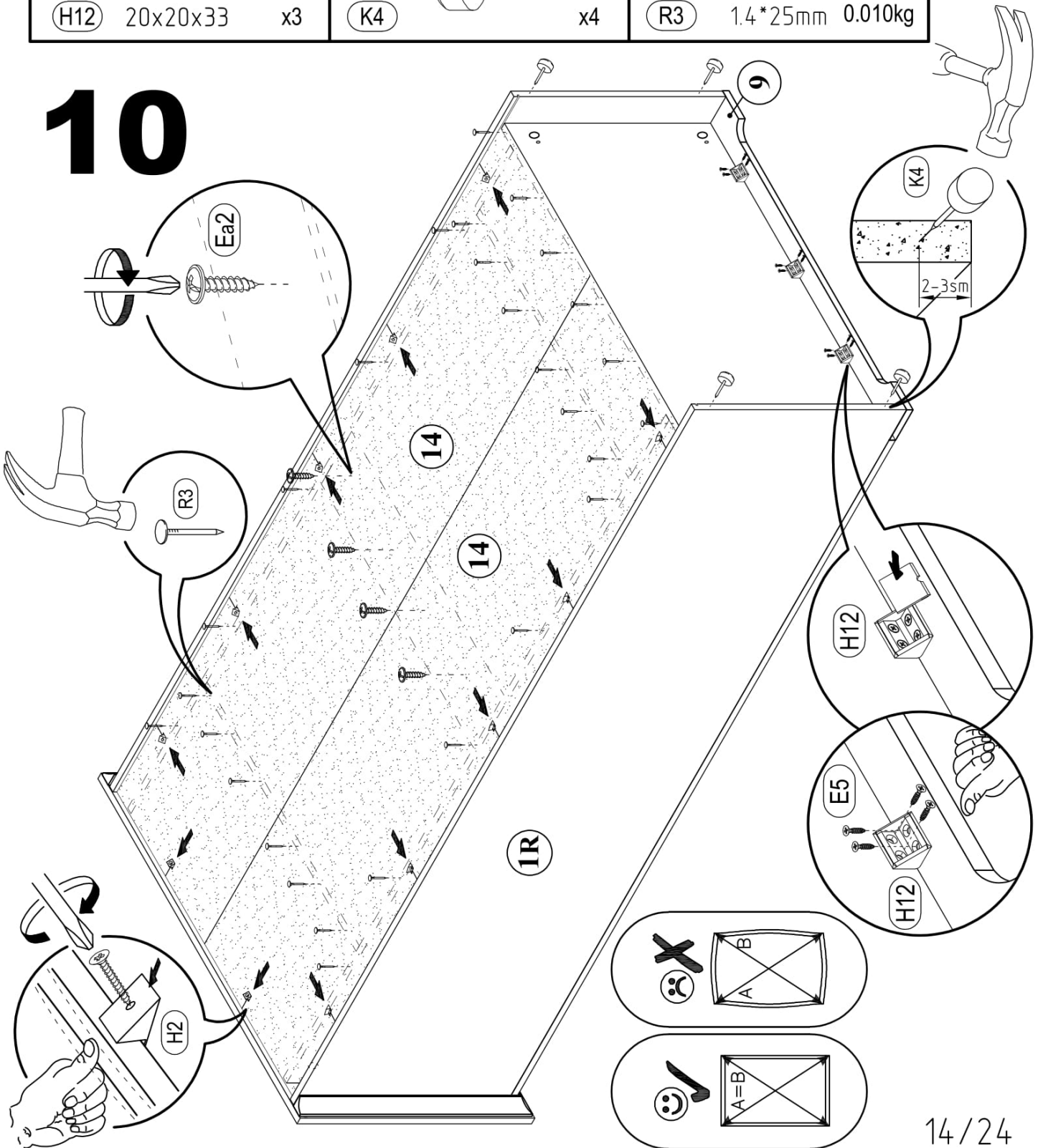
VALERIO
WARDROBE 2D 1Dr

9



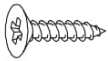

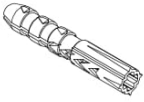
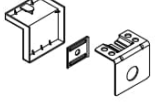
VALERIO
WARDROBE 2D 1D

 E5 3,5*16 x12	 Ea2 4,2*16mm x4	 H2 x12
 H12 20x20x33 x3	 K4 x4	 R3 1.4*25mm 0.010kg

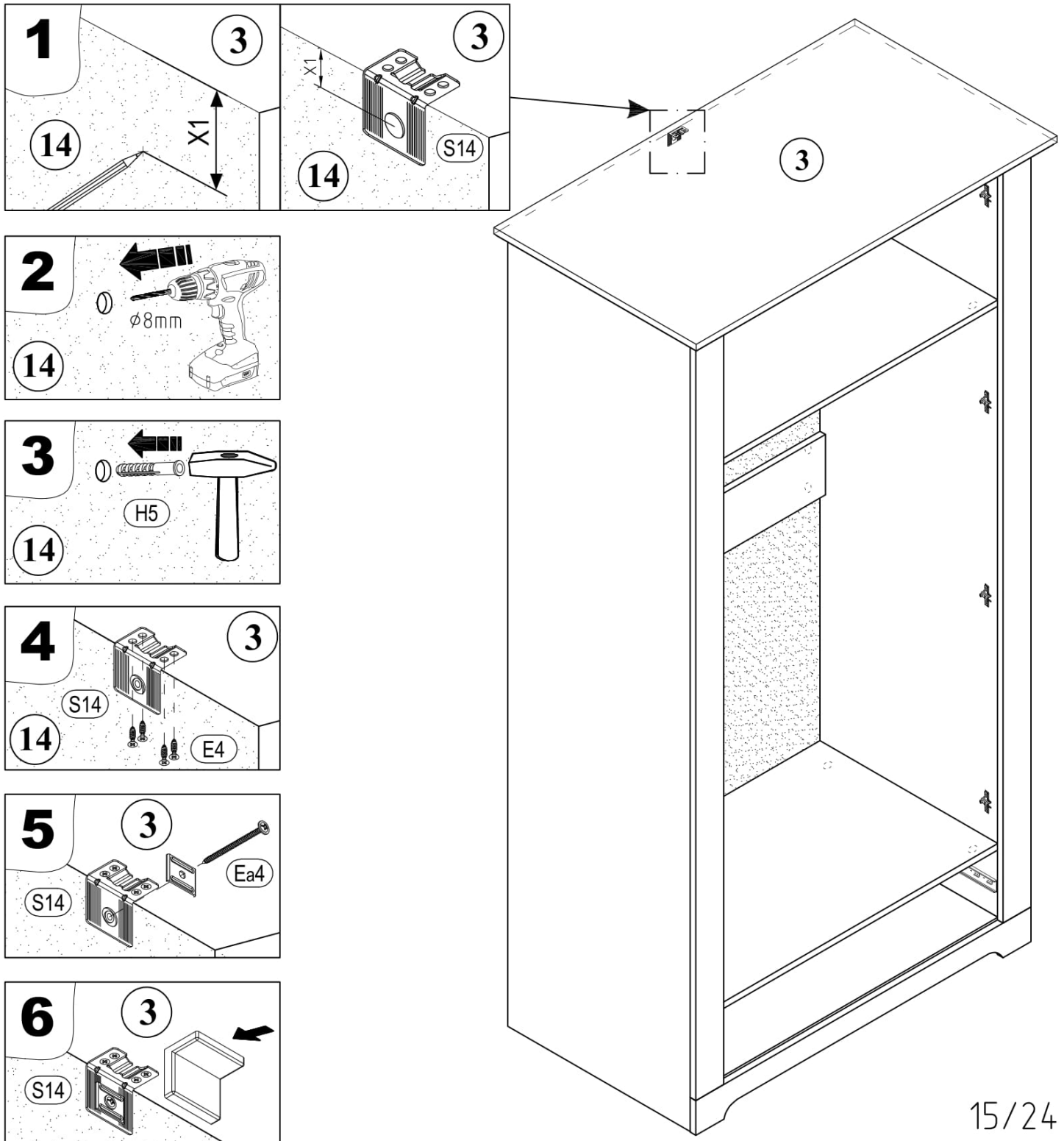


VALERIO



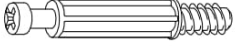

WARDROBE 2D 1Dr

 <p>(E4) 3,5*16mm x4</p>	 <p>(Ea4) 4,2*65mm x1</p>	 <p>(H5) 8*50mm x1</p>
 <p>(S14) K-06 x1</p>		

11

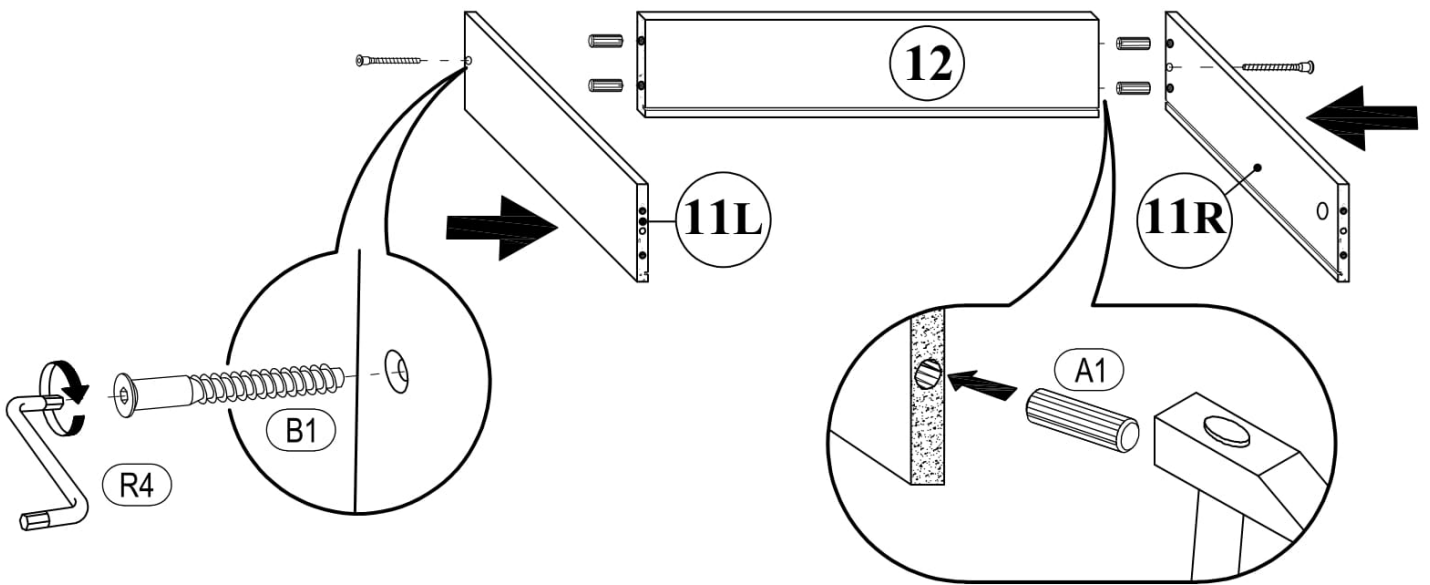


VALERIO
WARDROBE 2D 1Dr

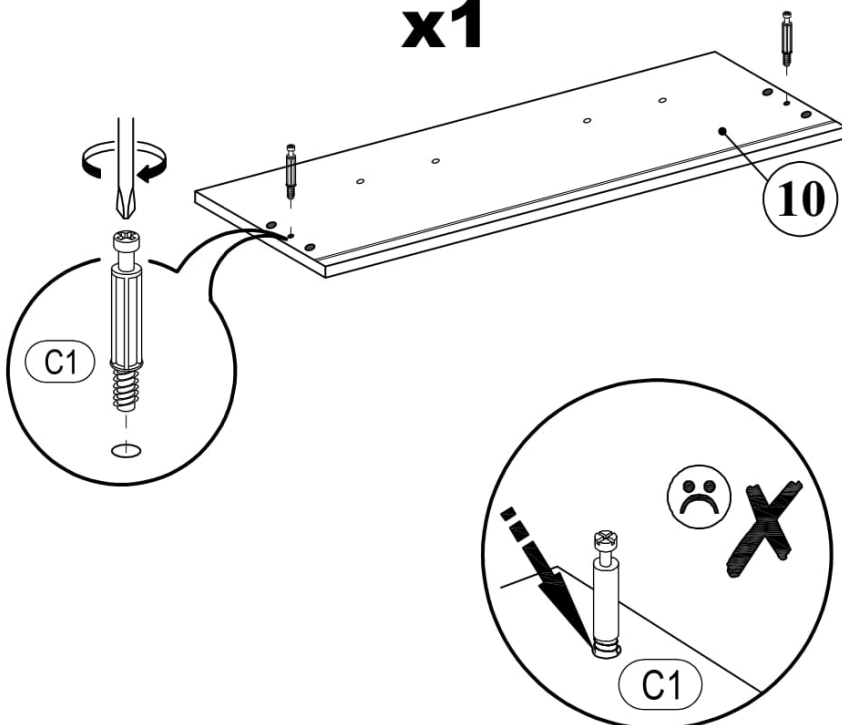
 (A1) 8*30mm x4	 (B1) 6,3*50mm x2	 (C1) 5*30mm x2
		 (R4) N°4 x1

12




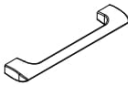
12.1
x1



12.2
x1



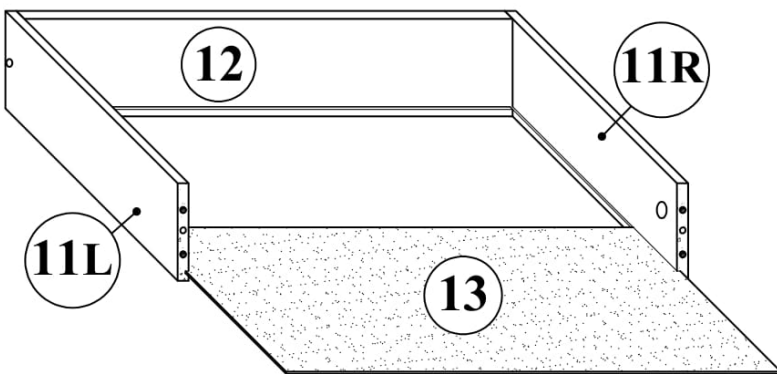
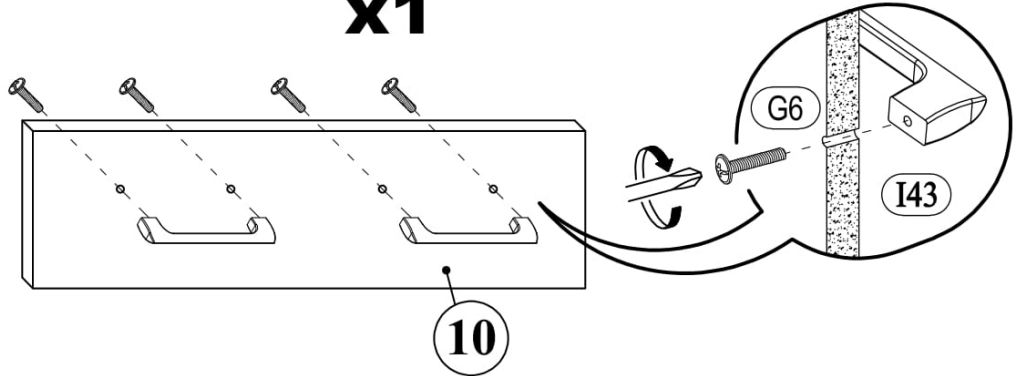
VALERIO
WARDROBE 2D 1Dr

 A1 8*30mm x4	 D1 16mm x2	 G6 M 4*22 x4
		 I43 P-38 (128) x2

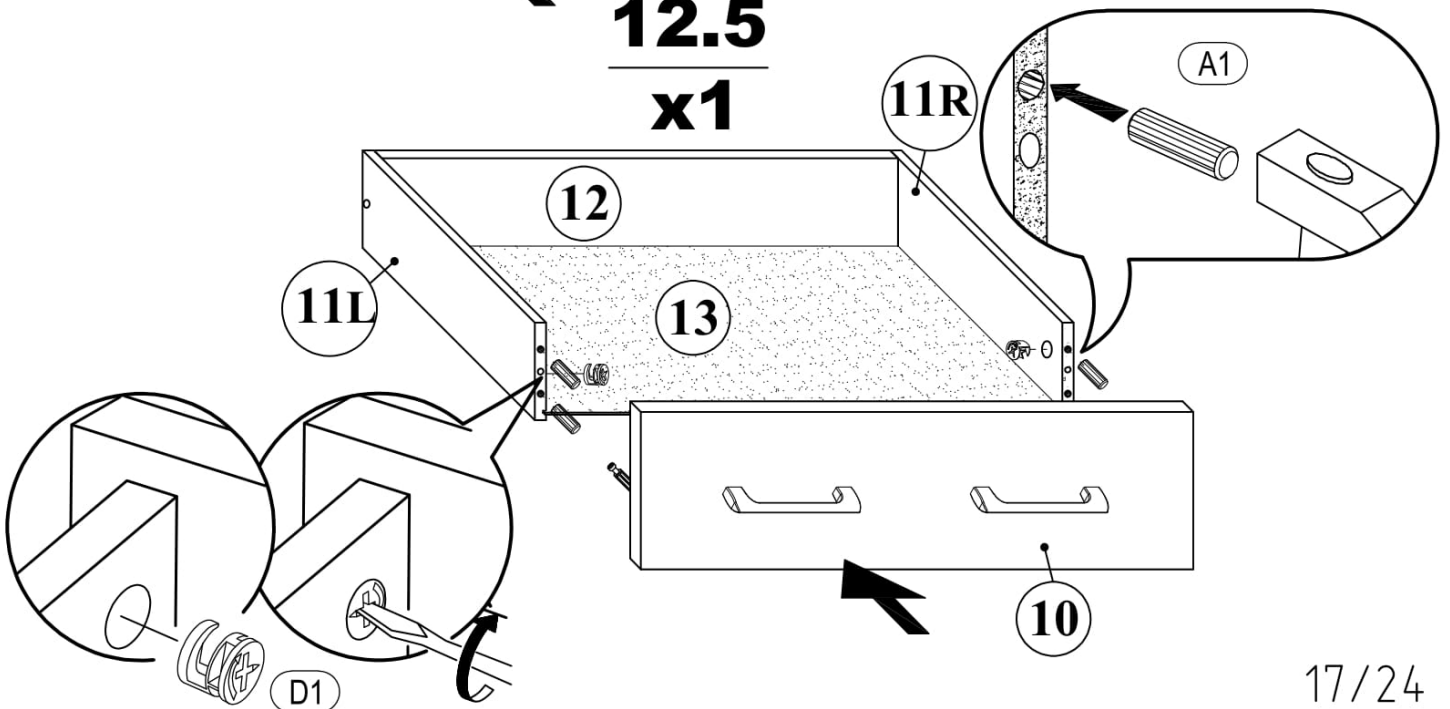
12

12.3
x1




12.4
x1



12.5
x1

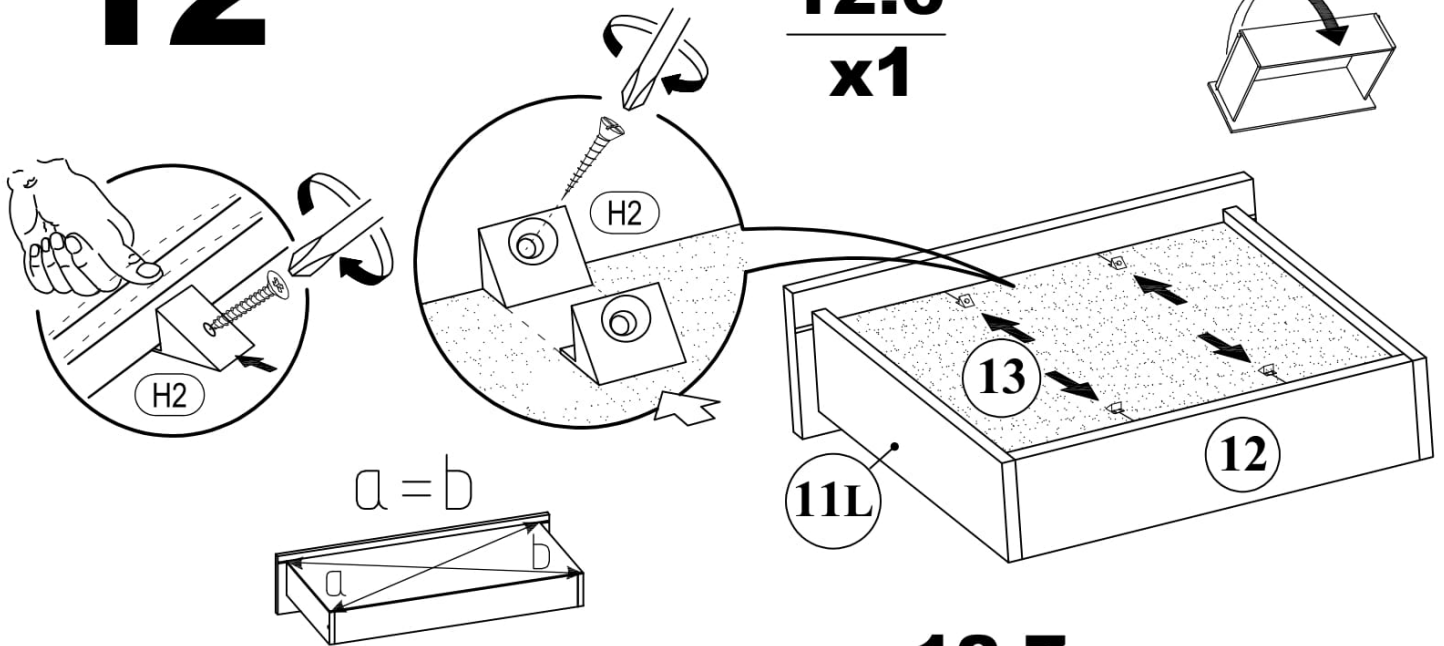


VALERIO
WARDROBE 2D 1Dr

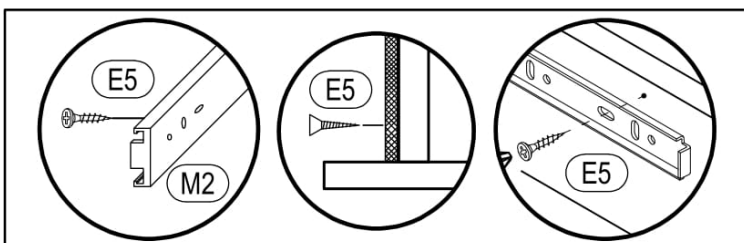
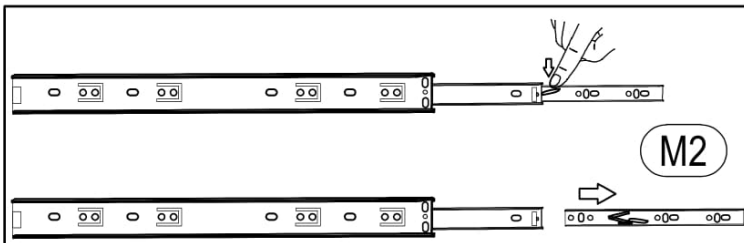
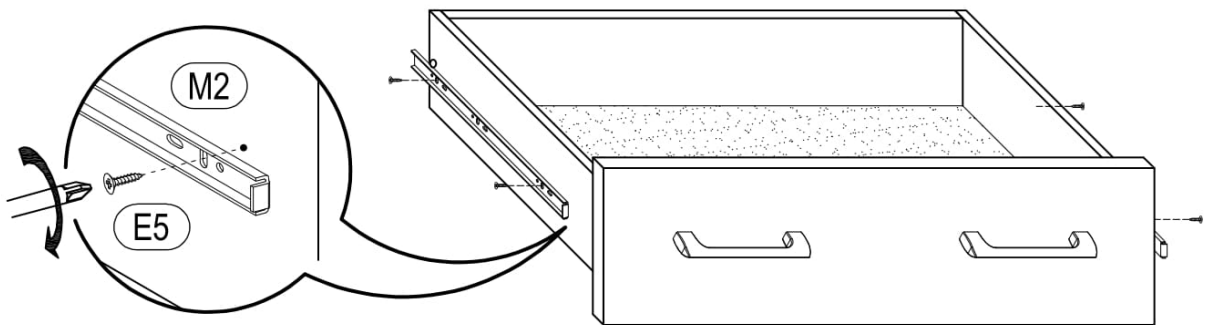
 (E5) 3,5*16mm x4	 (H2) x4	 (M2) L-450mm x1
--	---	---

12


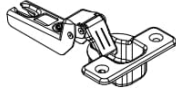
12.6
x1

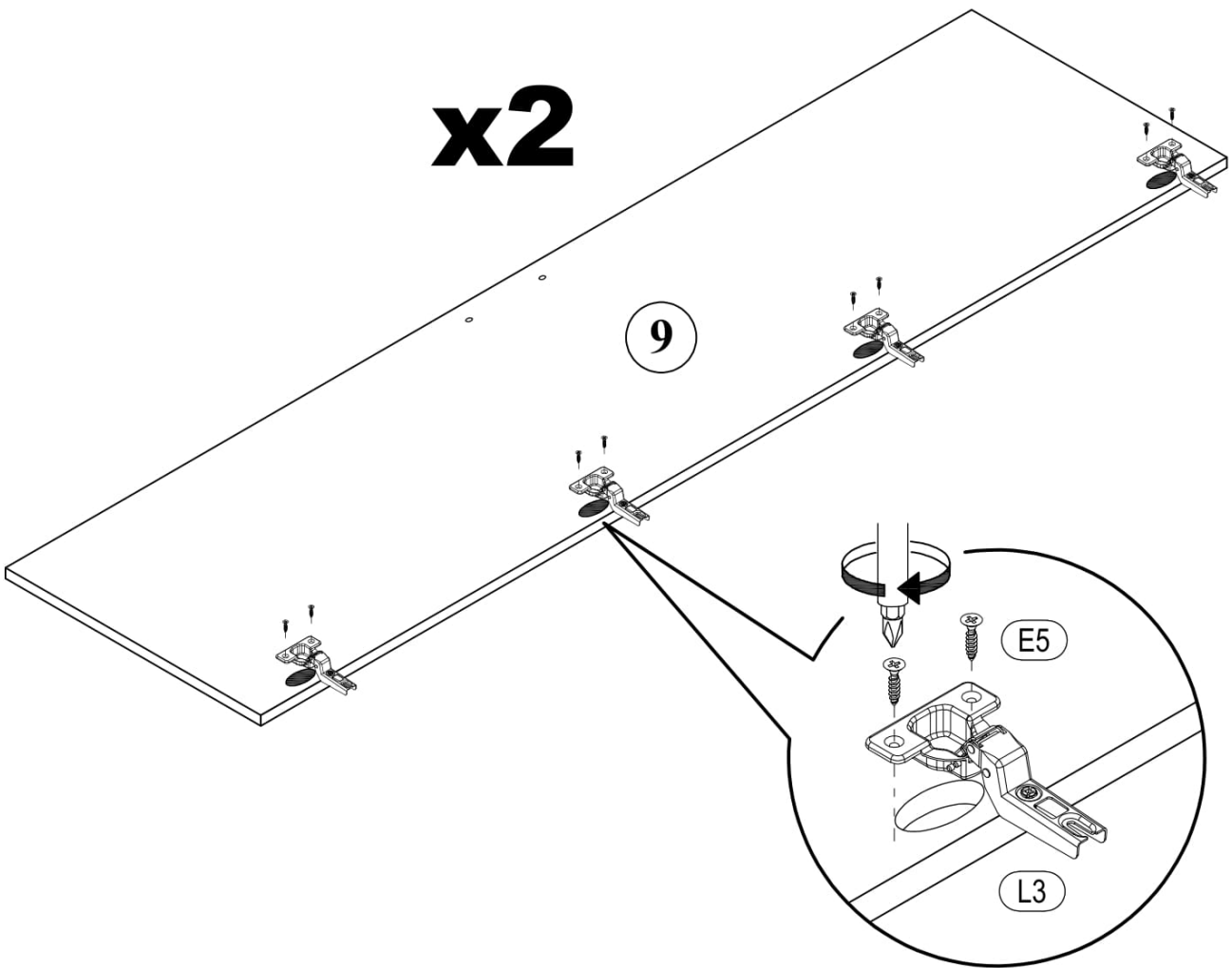


12.7
x1







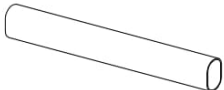
13

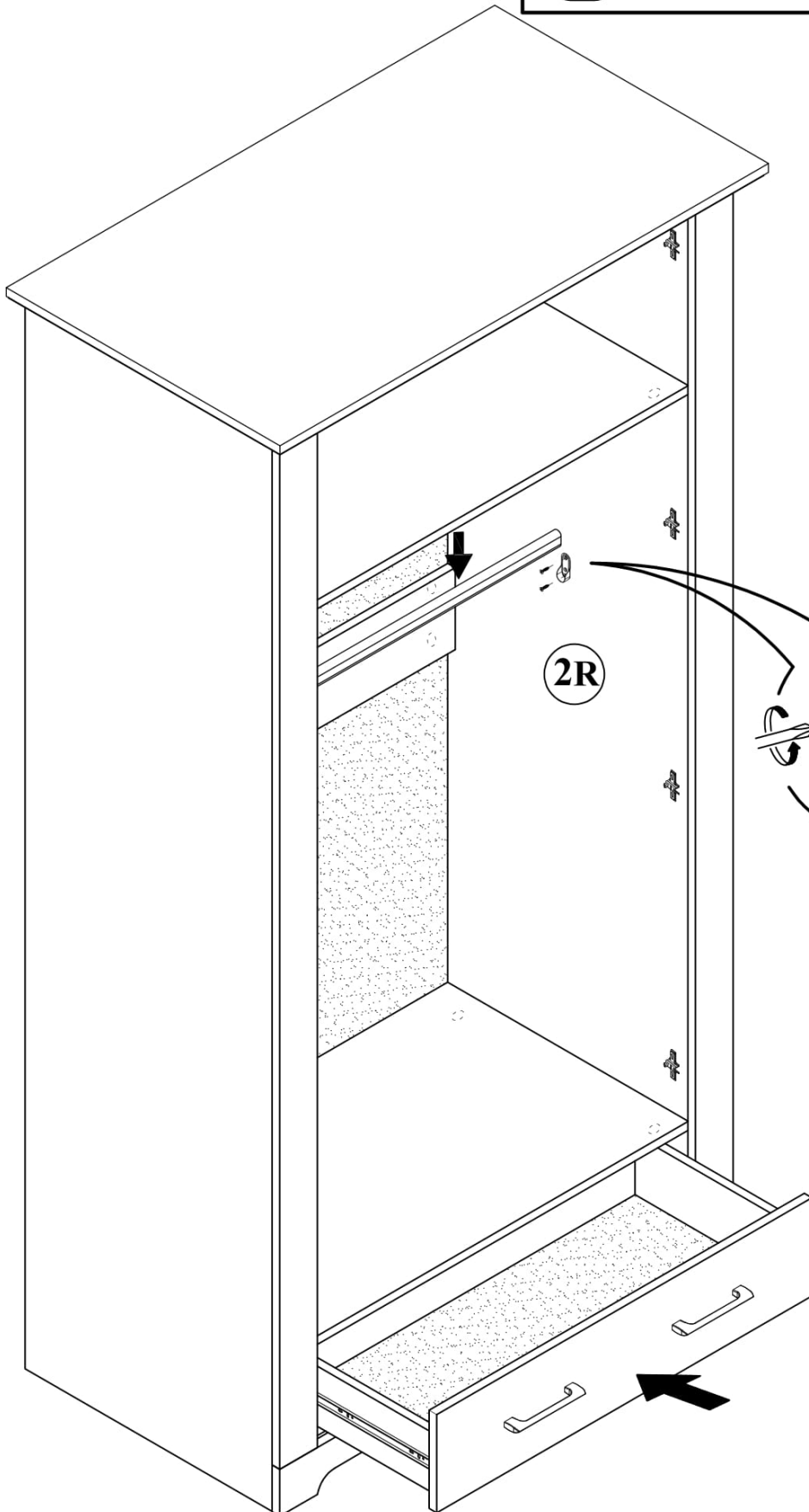
 E5 3,5*16 x16	 L3 x8
--	--



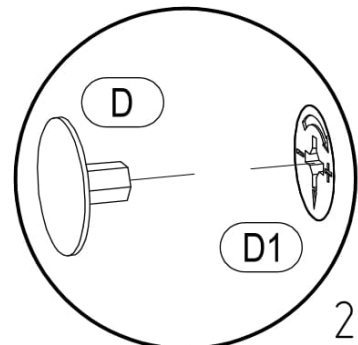
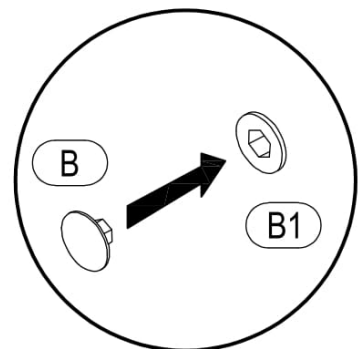
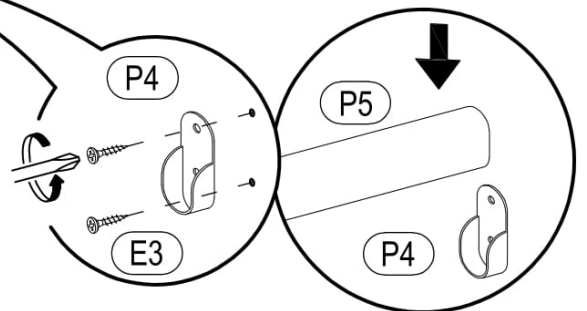
VALERIO
WARDROBE 2D 1Dr

14

 B x6	 D x22
 E3 3*15mm x4	
 P4 x2	
 P5 L-798mm x1	


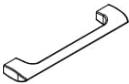



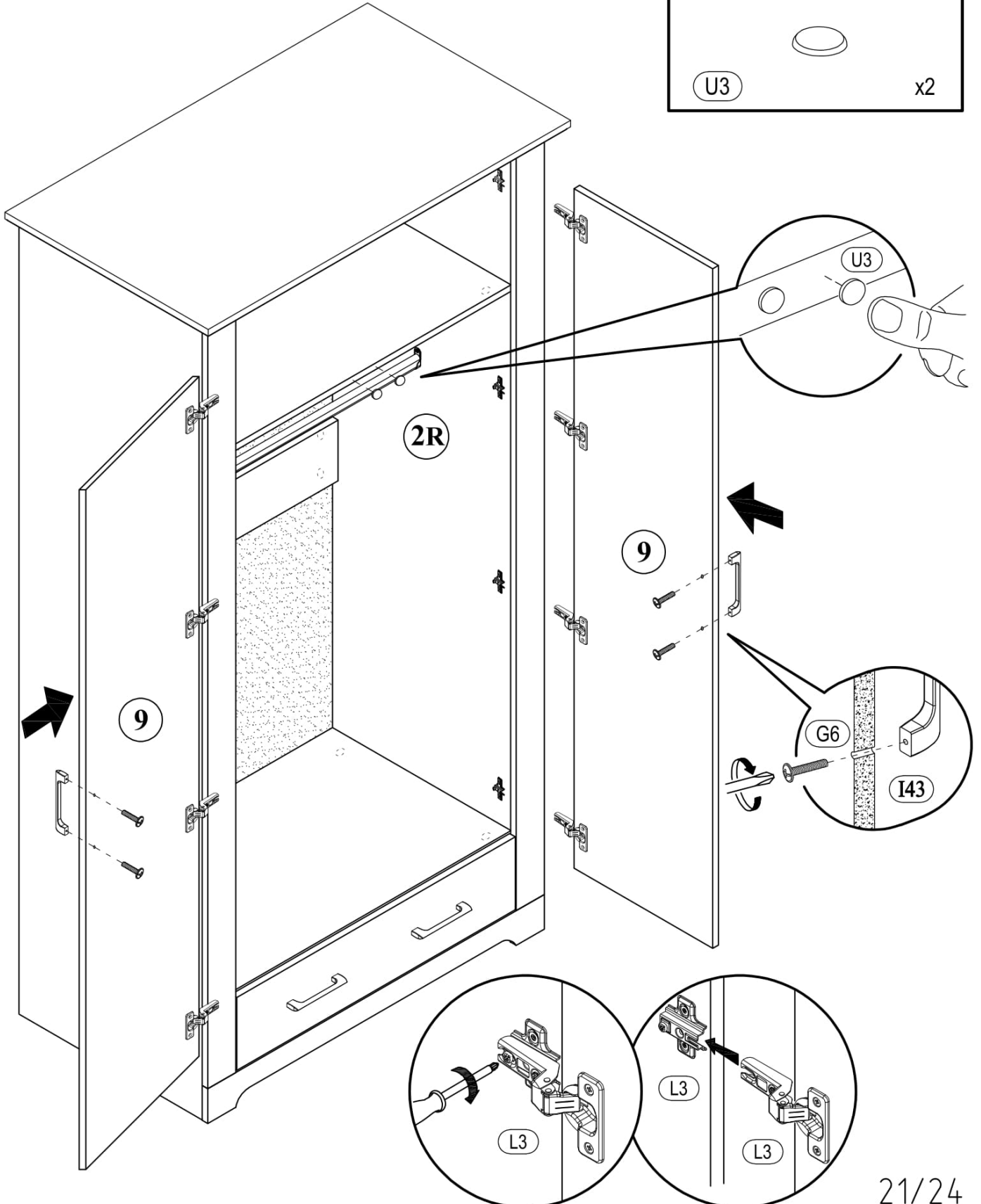
2R



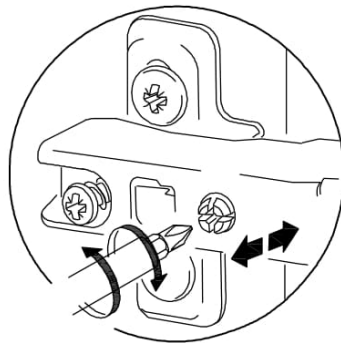
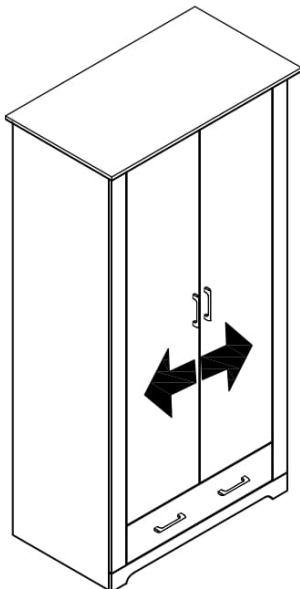
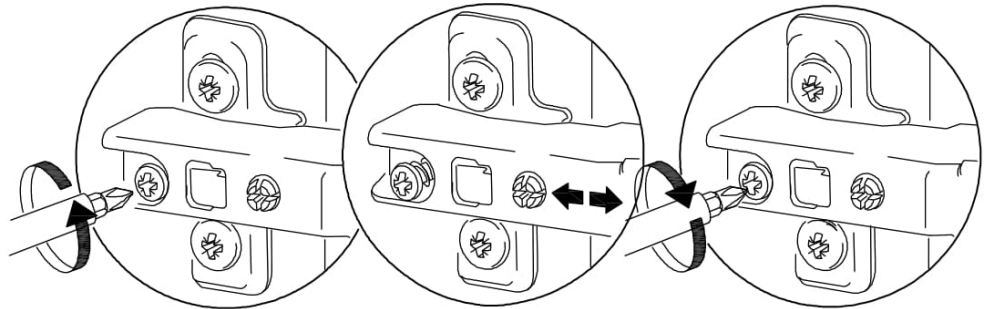
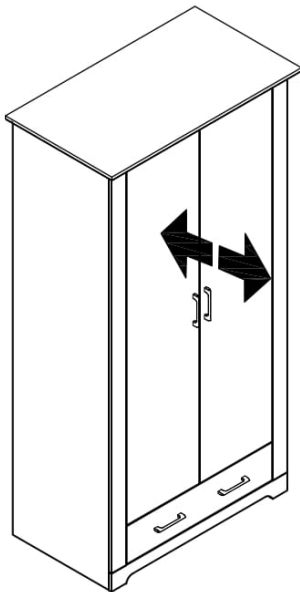
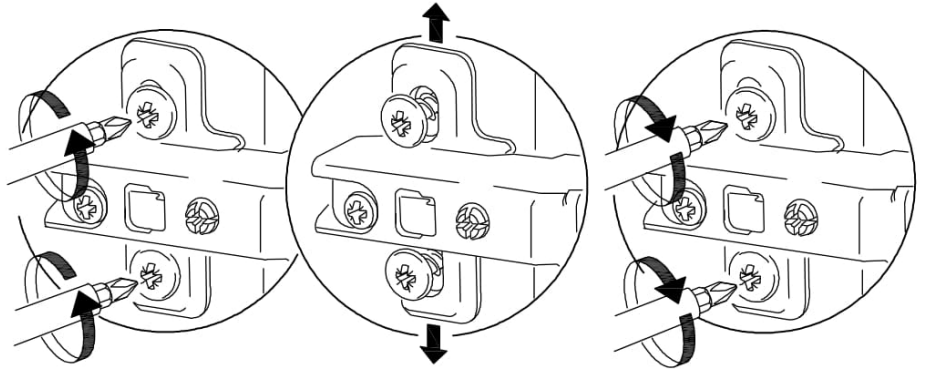
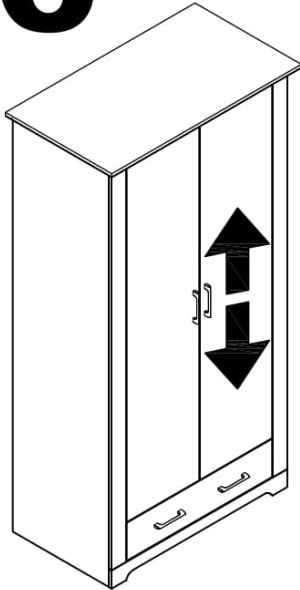
VALERIO
WARDROBE 2D 1Dr

15

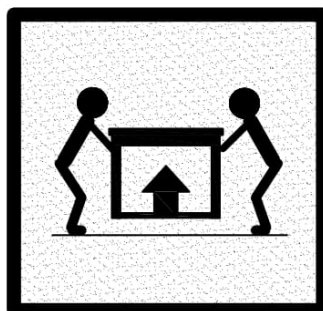
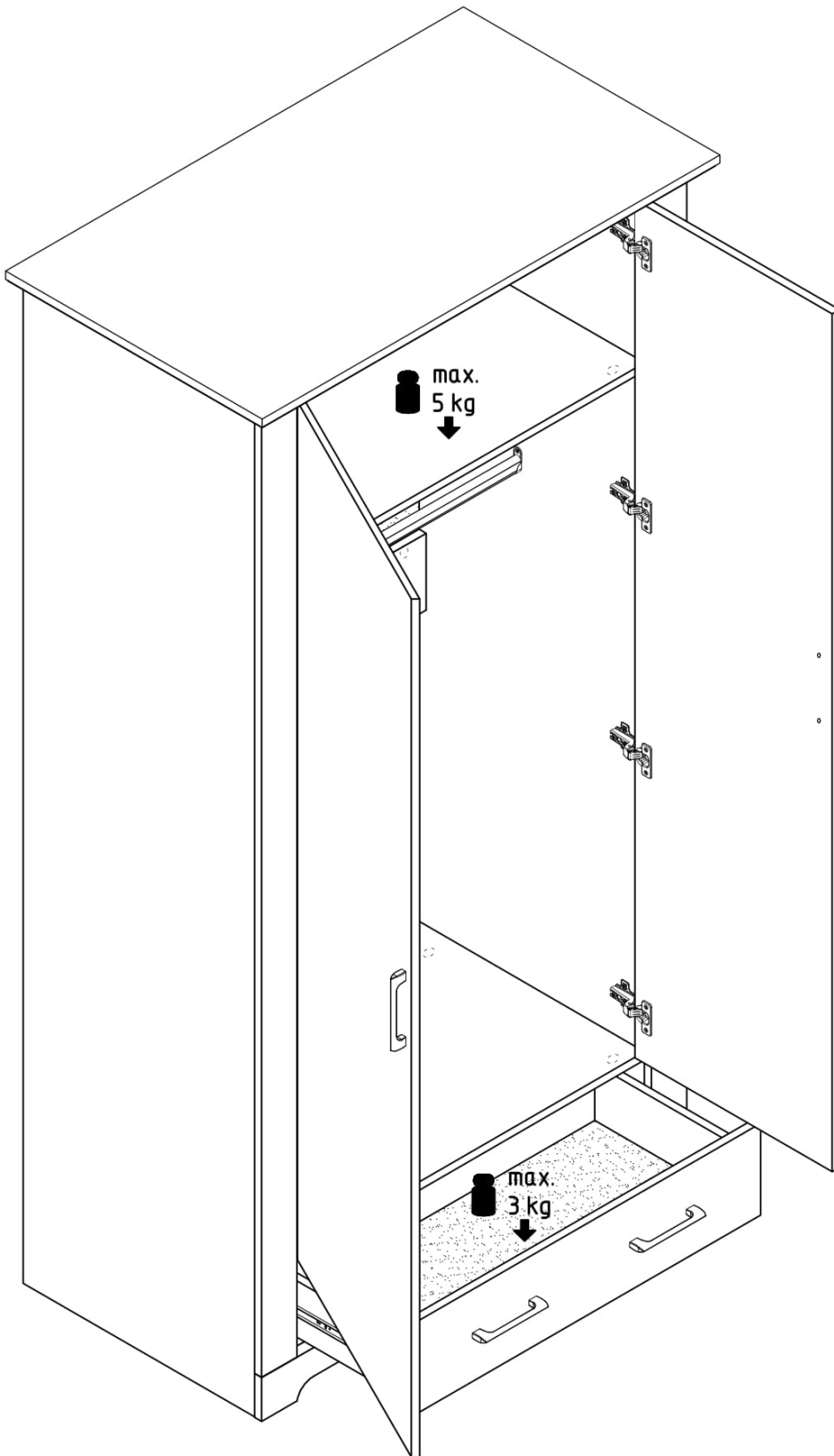
 G6 M 4*22 x4	 I43 P-38 (128) x2
 U3 x2	



16



VALERIO
WARDROBE 2D 1Dr



VALERIO
WARDROBE 2D 1Dr

